

# Fan replacement

A fan that has damaged blades should be **replaced immediately**, because the bearing will break very fast due to the imbalance and resulting vibrations.

When changing a fan on a working system be very carefull not to touch the blades or get any cables into the fans. Also watch out that the system is not overheating during the changing process.

Open the case according to the [Opening/closing the case](#) chapter of this wiki. First disconnect the fan from its power source and make sure the cable is not stuck anywhere.

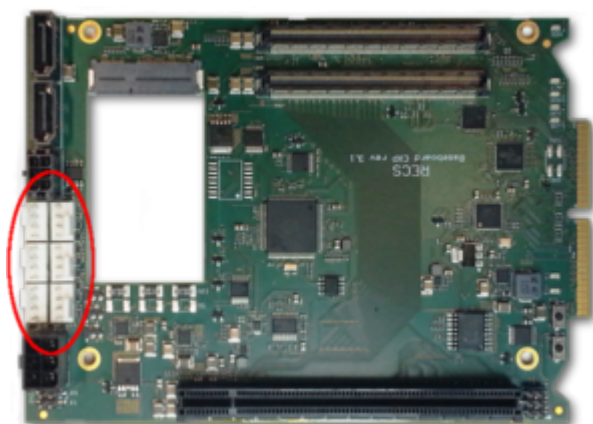


Fig. 1

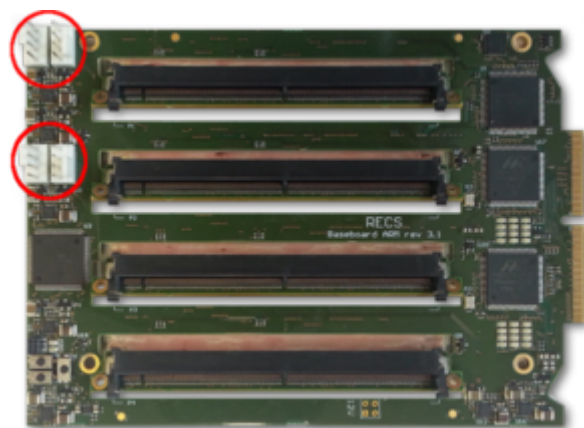


Fig. 2

## Antares

1. to remove the fan simply drag it out of the mounting plate diagonally.
2. unscrew the anti-vibration-rubber from the broken fan with a PH2 screwdriver, and screw them diagonally onto the new fan so that the cable and airflow point in the right direction when installed.
3. stick the fan back into the mounting plate
4. arrange the cable under the fans and connect it

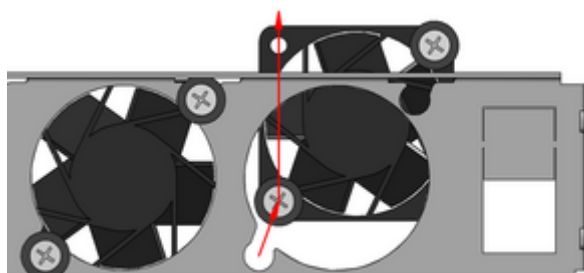


Fig. 3

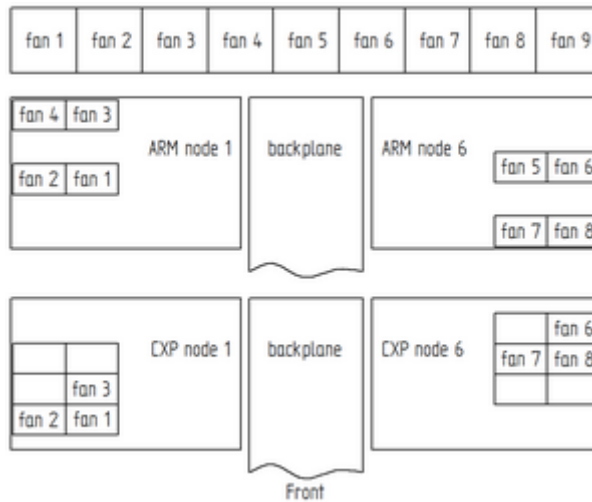


Fig. 4

## Arneb

1. unscrew the two screws that hold the fan to the chassis with a PH2 screwdriver
2. replace the fan with a new one considering the airflow direction
3. tighten the two screws
4. plug the cable onto the baseboard

From: <https://recswiki.christmann.info/wiki/> - RECS® | Box Wiki

Permanent link: [https://recswiki.christmann.info/wiki/doku.php?id=documentation:fan\\_replacement&rev=1415203289](https://recswiki.christmann.info/wiki/doku.php?id=documentation:fan_replacement&rev=1415203289)

Last update: 2014/11/05 16:01

